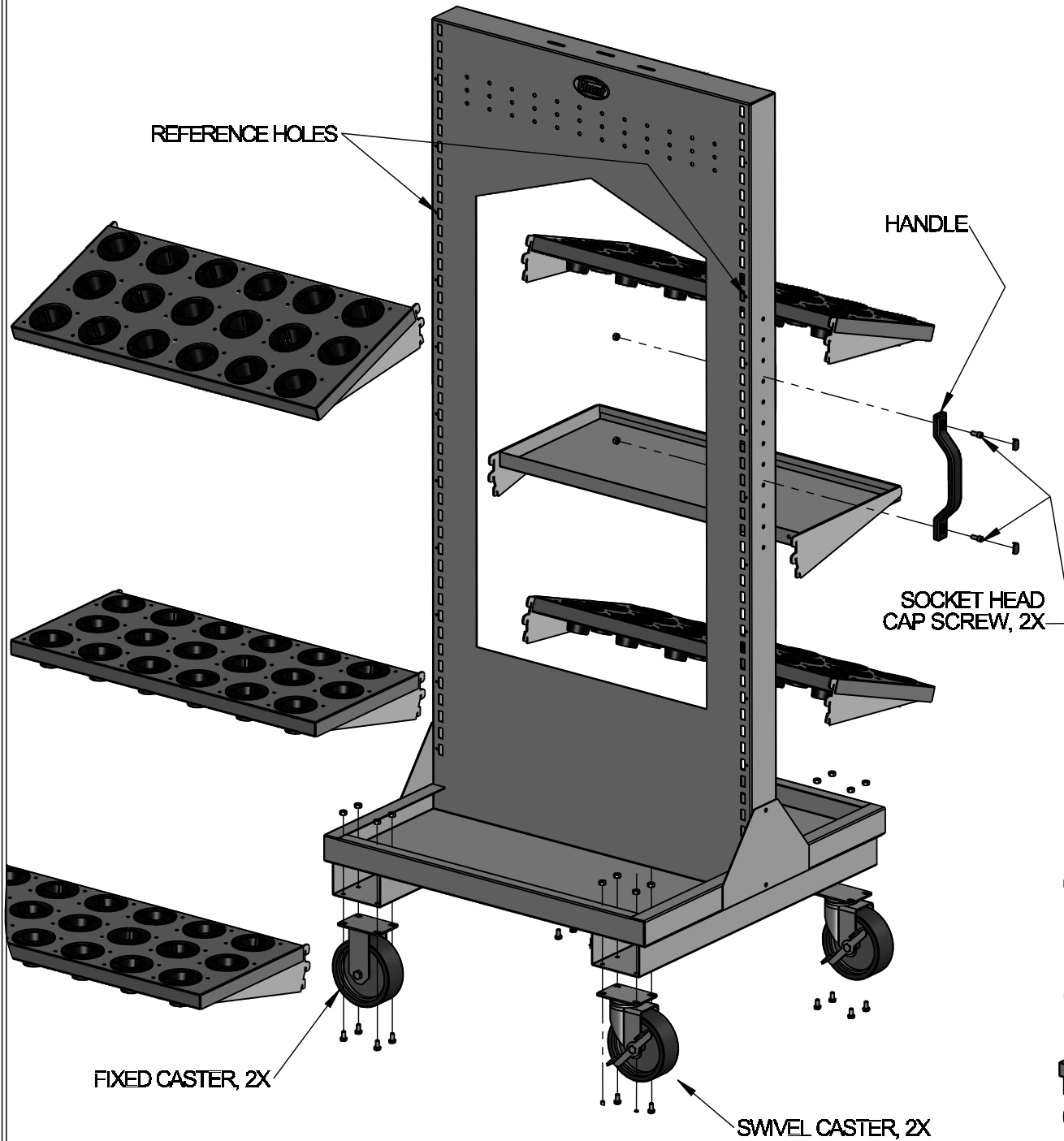


Instructions for **TALL** ToolScoot Tree Assembly



1) Turn the unit on its side and mount the casters using only the hex head bolts. Ensure that both Swivel Casters are on the same skid rail, and both Fixed Casters are on the other rail. Return the unit to an upright position on the floor.

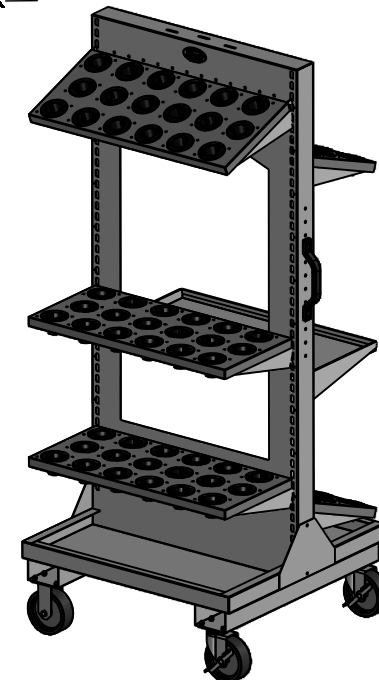
2) Attach the handle to the side above the Swivel Casters at the desired height, using the two socket head cap screws and two locknuts. Insert the two plugs to cover the screw heads as shown.

3) Insert the shelves in the desired locations. Note that shelves can be installed flat or tilted at a 20° angle. Use the small holes adjacent to the mounting slots as reference points to help align the shelves across the unit.

IMPORTANT: DO NOT TOP LOAD

Maintain a low center of gravity by distributing the weight toward the bottom of the cart.

DO NOT TRANSPORT ACROSS INCLINES OR UNEVEN SURFACES WHEN LOADED.



HUOT MFG. CO.
550 N Wheeler St.
St. Paul, MN 55104

Ph: (651) 646-1869
Fax: (651) 646-0457
www.Huot.com