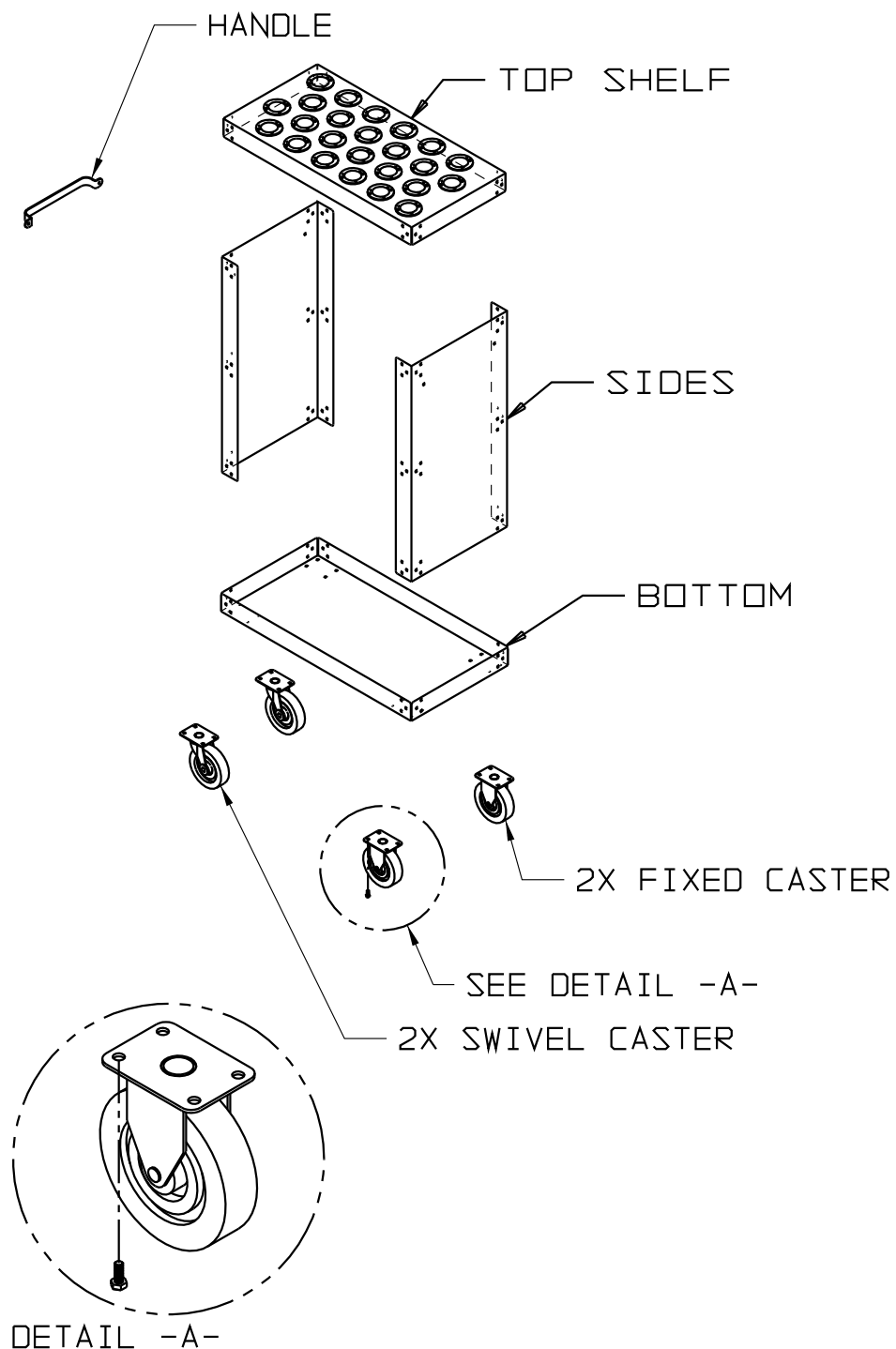


FORM: 75043

SPEEDYSCOOT



ASSEMBLY INSTRUCTIONS FOR HUOT SPEEDYSCOOT

1. Securely fasten casters to the bottom with bolt threads pointing up (see diagram on left). Note: Position both swivel casters on the same end.
2. On a flat surface with casters chocked, insert one side into bottom. Note orientation of sides, i.e., the end that is stamped "TOP" must go toward the top, but you are bolting the bottom. Insert screws into the corresponding holes and hand tighten with the nuts provided. Repeat this step with opposite side.
3. Install top shelf and hand tighten nuts and bolts.
4. Ensure cart is square. SECURELY TIGHTEN ALL SCREWS AND NUTS. Check all fasteners periodically to assure tightness.
5. Attach handle on the same end as swivel casters.

YOUR TOOL CART IS NOW READY TO USE.

Additional shelves and other accessories may be purchased for your SPEEDYSCOOT can be found at www.huot.com:
www.huot.com/products/product-category/cnc-tool-carts/speedyscot/

If you require assistance please e-mail us at huotmfg@huot.com or call and ask for your SPEEDYSCOOT representative.

HUOT MFG. COMPANY
 550 N Wheeler Street
 St. Paul, MN 55104-1788

Phone: (651) 646-1869 Fax: (651) 646-0457 WWW.HUOT.COM