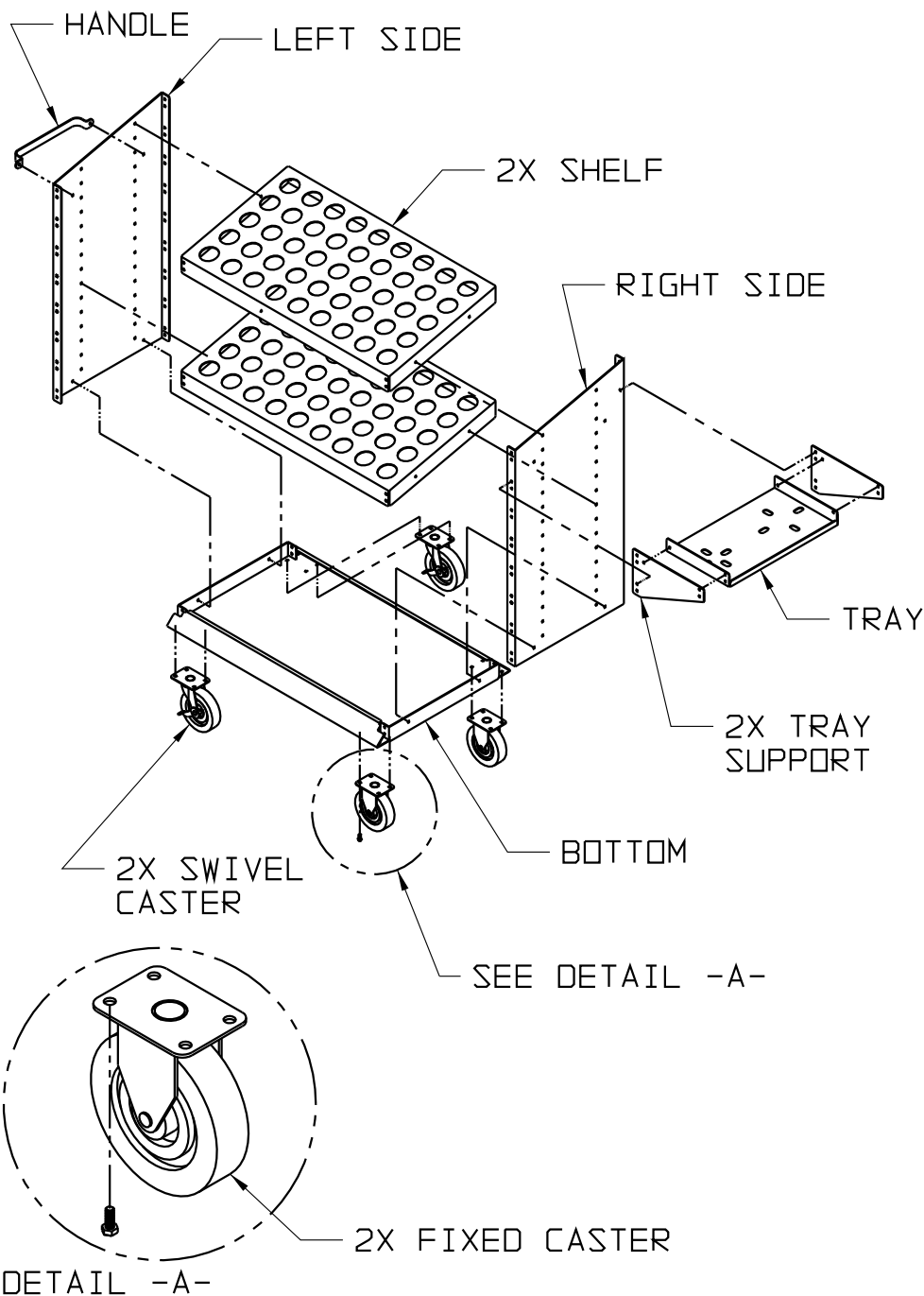


FORM: 75035

SUPERSCOOT



Assembly Instructions for Huot Superscoot

1. Securely fasten casters to the bottom with bolt threads pointing up (see drawing 75035). Note: Position both swivel casters on the same end.
2. Place this on a flat surface with the casters locked, and set one side into the corresponding bottom with the angled end toward the top. Insert screws into the holes and hand tighten with the nuts provided. Repeat this step for the opposite side.
3. Position a shelf in the desired lower position. Align the holes and gently push the shelf into position. Make sure the shelf is properly seated before hand tightening screws. Repeat this step for the other shelf (in the top position).
4. Attach the handle on the same end as swivel casters.
5. Loosely fasten (2) tray supports to the tray. Place the tray, with attached supports, into position as shown in drawing and hand tighten the bolts. Fasten the tray supports to the side. Note: Tray is mounted on the side opposite the handle.
6. Ensure cart is square. **SECURELY TIGHTEN ALL SCREWS AND NUTS.** Check all fasteners periodically to assure tightness.

Additional shelves may be purchased for your SUPERSCOOT. Your SUPERSCOOT is now ready to use. We recommend the more frequently used tools be placed on the top shelf.

If you require assistance please email us at huot@huot.com or call our toll free hotline, 1-800-832-3838, and ask for your SUPERSCOOT representative.

HUOT MFG.COMPANY
 550 N Wheeler Street
 St. Paul, MN 55104-1788

Phone: (651) 646-1869 Fax: (651) 646-0457 WWW.HUOT.COM